



FIRESTOP CENTRE

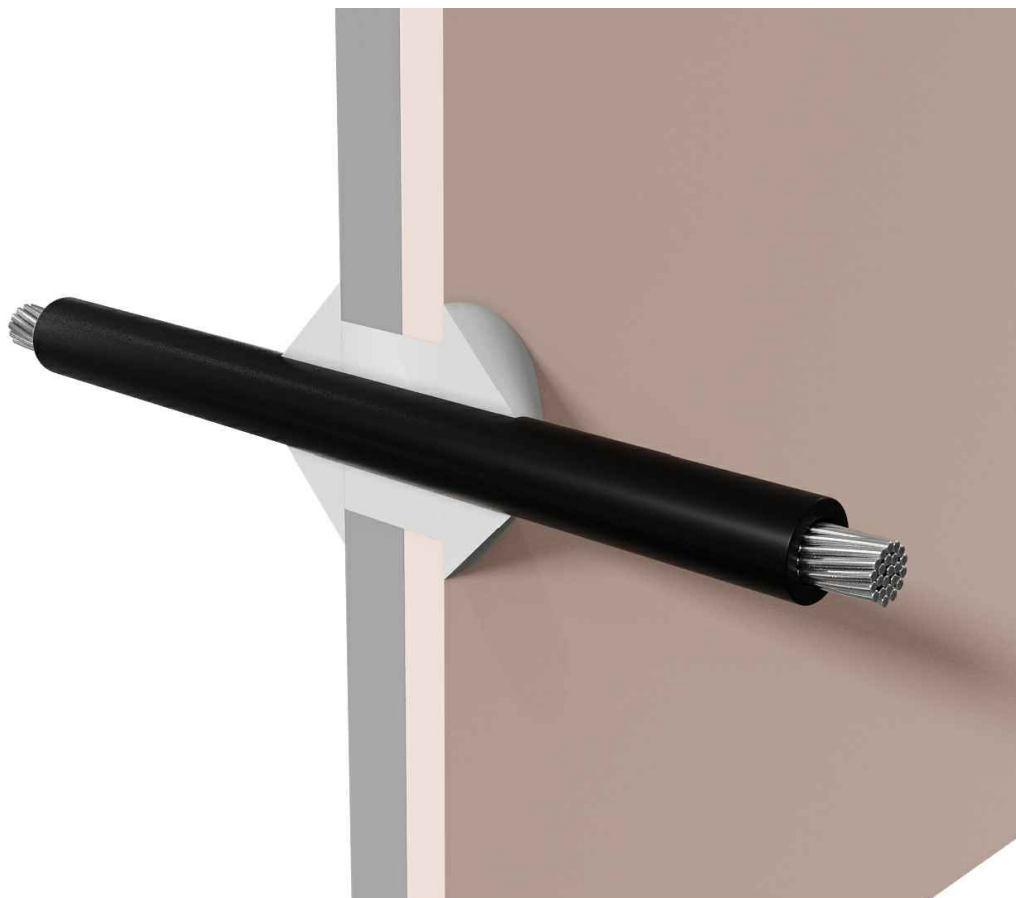
Authorised New Zealand Distributor
Ph (09) 483 4000 www.firestopcentre.co.nz

AGNI-Seal in a Shaftwall (min 41mm) Aluminium Core Cable 25mm Max FRR -/60/60

System ID# FC230

Step-by-step installation instructions:

1. Ensure the aperture is free from dust and debris.
2. Apply AGNI-Seal into the annular gap around the service to the full depth of the wall.
3. Apply 30mm x 30mm AGNI-Seal fillet/cone around the service.



Technical Information

| | |
|-------------------------|---|
| Substrate | • Min. 25mm Shaftliner & 16mm fire-rated plasterboard wall (Shaftwall system) |
| Service range | 25mm Aluminium cable |
| Annular gap | 3.7 - 7.2mm |
| AGNI-Products | AGNI-Seal |
| Protection installation | From both sides of the wall |

Compliance Information

| | |
|-----------|------------------------------|
| Standards | AS1530.4-2014, AS4072.1-2005 |
| FRR/FRL | -/60/60 |
| Reference | PF24146 |



8 Clare St Bayswater
VIC 3153, AUSTRALIA
www.agnitek.com.au

Disclaimer

Agnitek reserves the right to modify product specifications without prior notice due to its ongoing research, development & certification programme. The information in this document is provided in good faith and is intended for guidance purposes only. Any accompanying drawings are solely for illustrative purposes. Since Agnitek cannot oversee installation methods or ensure site conditions, no warranties, expressed or implied, are intended regarding the products' actual performance. We do not accept liability for any loss, damage, or injury from using this information. Please take a look at the test reports displayed on a relevant AGNI-System webpage for all compliance specifics.

Date 07.03.2025

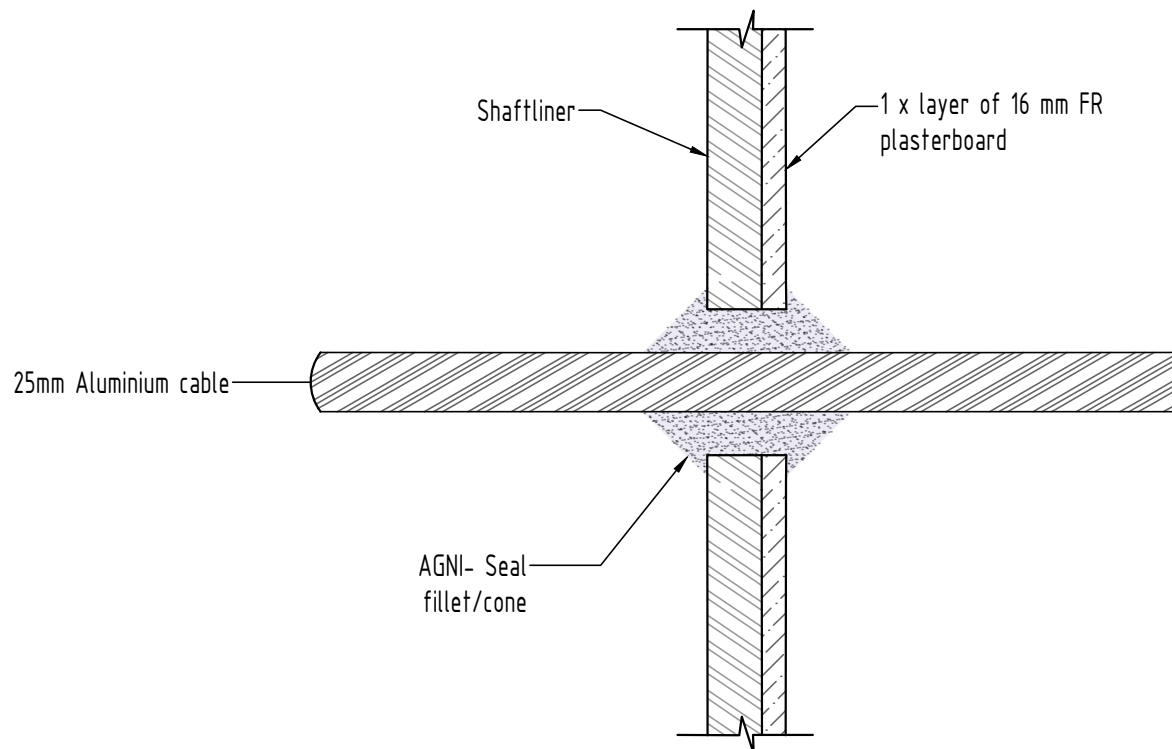


FIRESTOP CENTRE

Authorised New Zealand Distributor
Ph (09) 483 4000 www.firestopcentre.co.nz

AGNI-Seal in a Shaftwall (min 41mm) Aluminium Core Cable 25mm Max FRR -/60/60

System ID# FC230



Technical Information

| | |
|-------------------------|---|
| Substrate | • Min. 25mm Shaftliner & 16mm fire-rated plasterboard wall (Shaftwall system) |
| Service range | 25mm Aluminium cable |
| Annular gap | 3.7 - 7.2mm |
| AGNI-Products | AGNI-Seal |
| Protection installation | From both sides of the wall |

Compliance Information

| | |
|-----------|------------------------------|
| Standards | AS1530.4-2014, AS4072.1-2005 |
| FRR/FRL | -/60/60 |
| Reference | PF24146 |



8 Clare St Bayswater
VIC 3153, AUSTRALIA
www.agnitek.com.au

Disclaimer

Agnitek reserves the right to modify product specifications without prior notice due to its ongoing research, development & certification programme. The information in this document is provided in good faith and is intended for guidance purposes only. Any accompanying drawings are solely for illustrative purposes. Since Agnitek cannot oversee installation methods or ensure site conditions, no warranties, expressed or implied, are intended regarding the products' actual performance. We do not accept liability for any loss, damage, or injury from using this information. Please take a look at the test reports displayed on a relevant AGNI-System webpage for all compliance specifics.

Date 07.03.2025